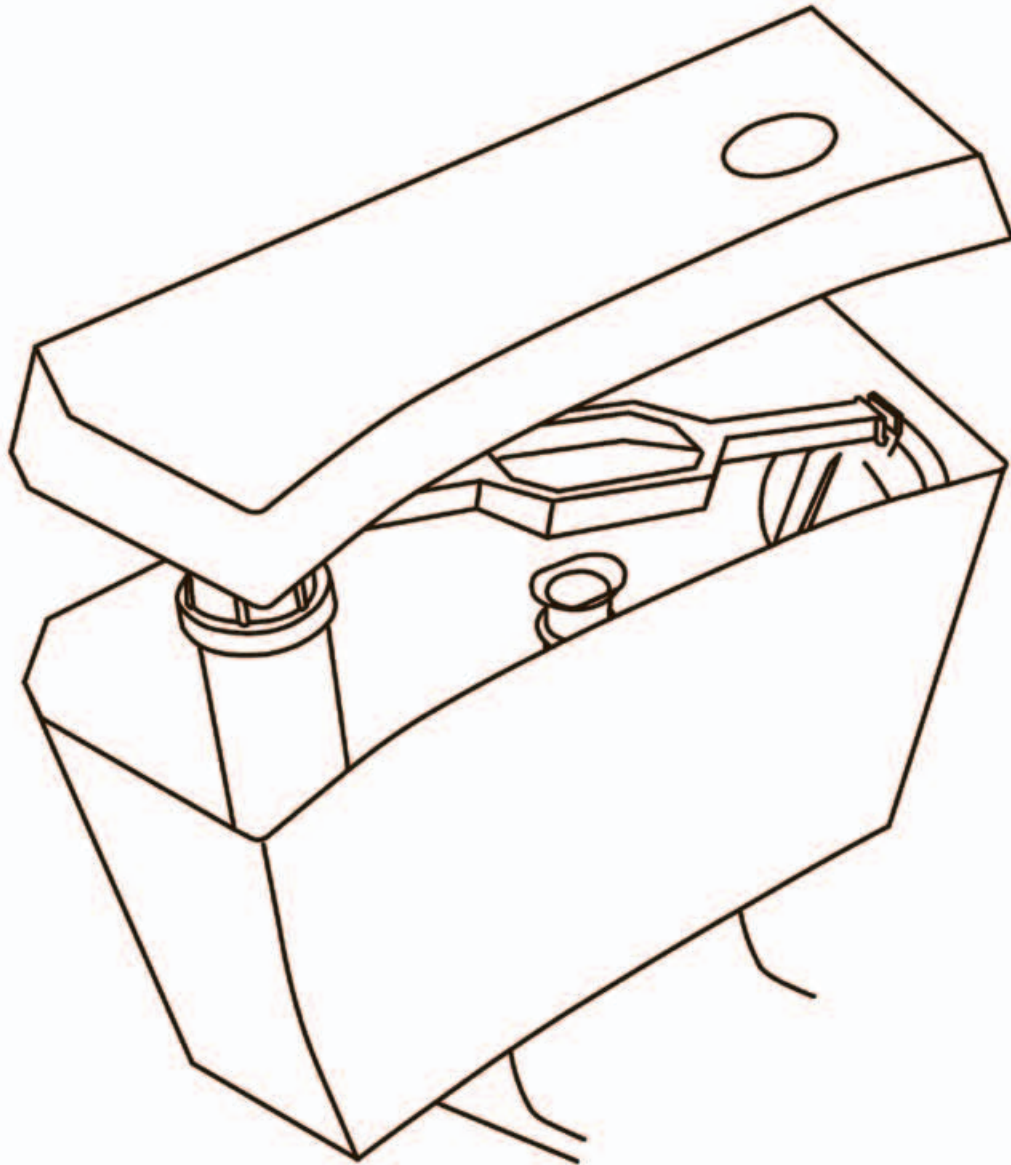
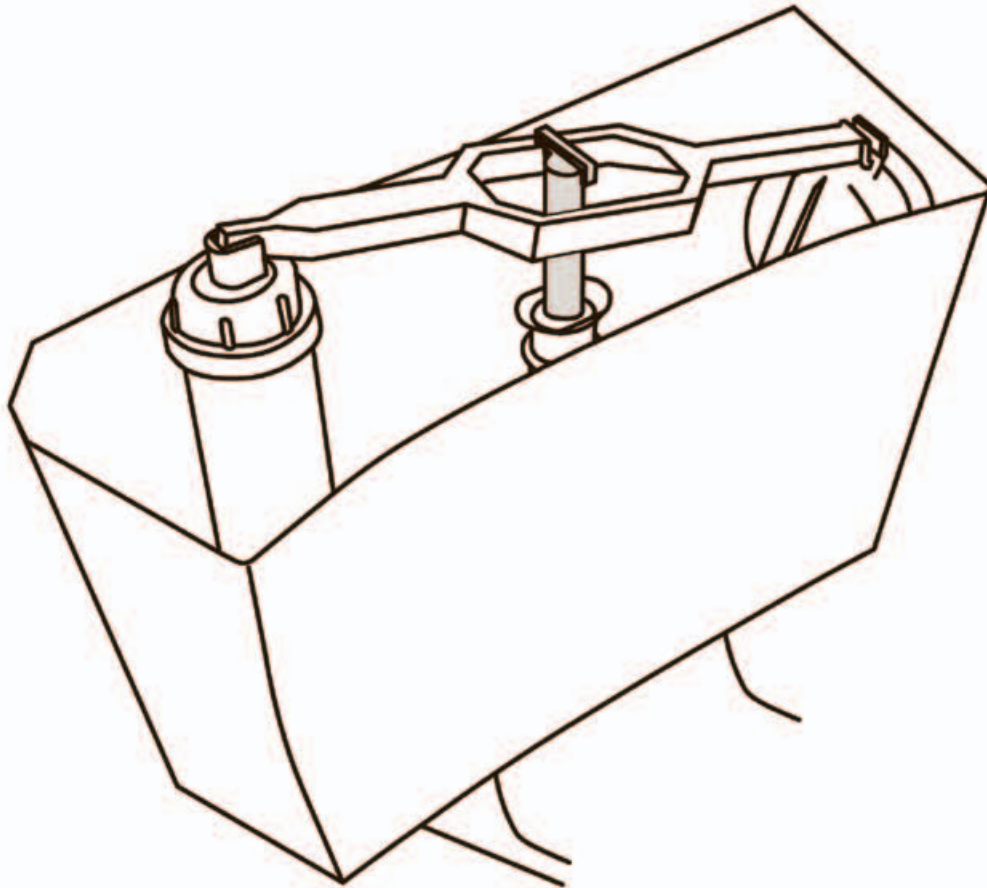


Installing a toilet water saver



STEP 1
Remove the cistern lid.

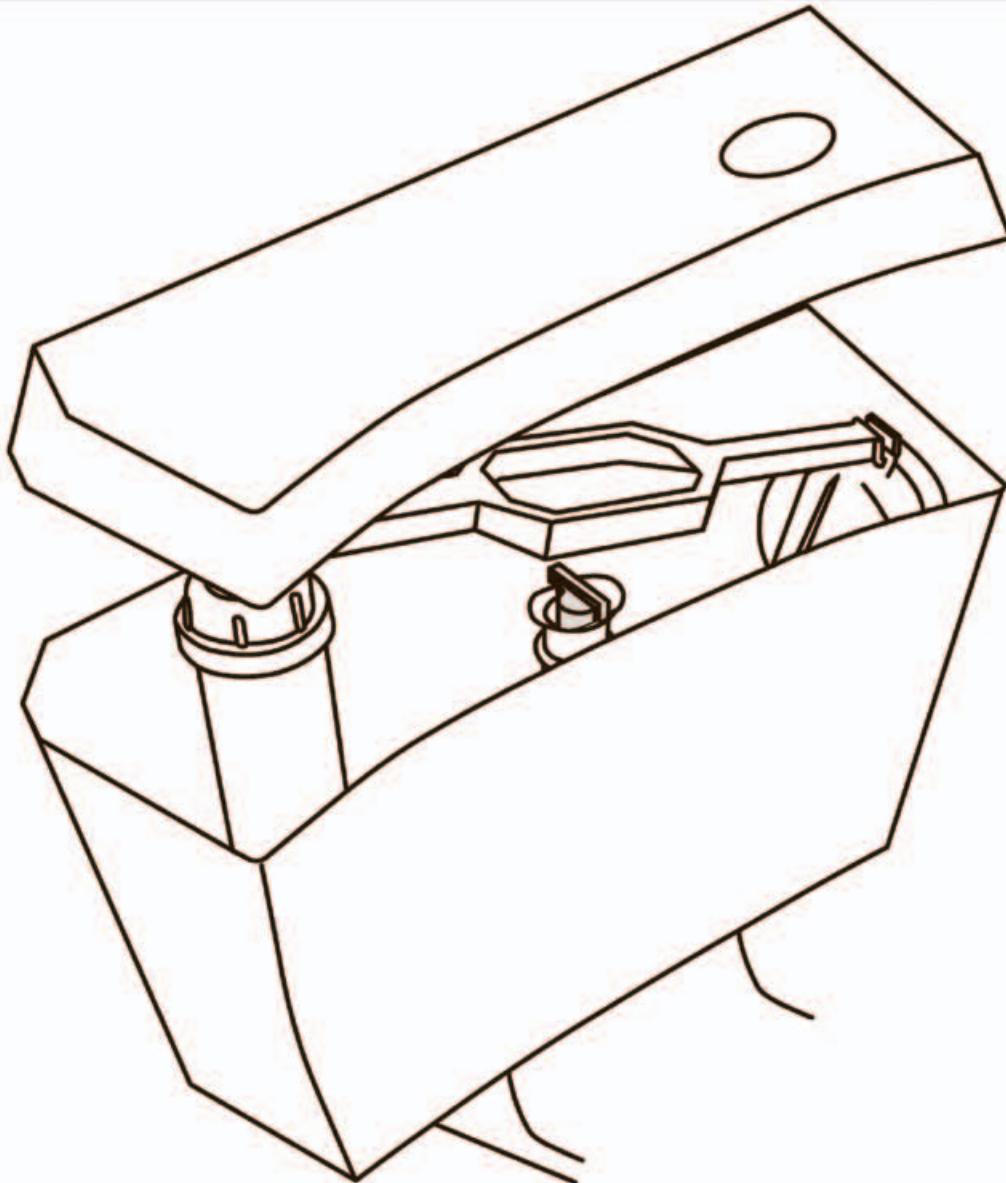
Installing a toilet water saver



STEP 2

Insert the Toilet Water Saver into the cistern overflow outlet.

Installing a toilet water saver



STEP 3

Replace the cistern lid.